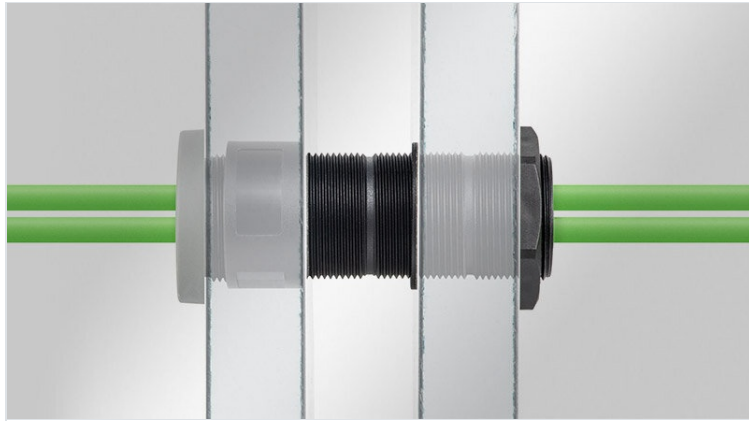


TE | Thread extension

for cable glands and cable entry plates, M32 / M50 / M63



The icotek [cable glands](#) and [cable entry plates](#) with metric thread are screwed with a locknut during assembly. If the thread lengths are not sufficient, for example when

mounting on sandwich panels or thick concrete walls, icotek offers a practical solution: the icotek thread extension!

The icotek thread extension is available in two sizes (M32, M50, M63) and in three lengths (35 mm, 60 mm, 120 mm) and represents a real innovation in the field of cable management. The different lengths can be flexibly combined or shortened at the designated points. This means that not only very large, but also dimensionally accurate distances can be overcome when routing the cable. Due to their stable construction, almost any number of thread extensions can be screwed together.

Cut-out size: 37 / 55 / 68 mm (standard sizes for hole saws)

(The cable glands / cable entry plates shown are not included in the scope of delivery)



Specifications

Material	Polyamide
Flame class	UL94-V0, self-extinguishing
Operating temperature	-40 C° to 140 C°
Properties	silicone free, halogen free
Mounting options	Fasten with locknut

Advantages & benefits

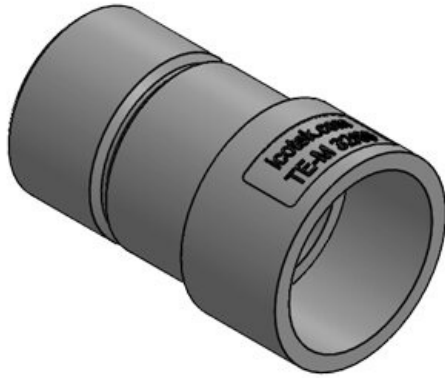
- Wide range of applications in different industries such as construction, building services, caravans, cleanroom and more.
- Especially suitable for sandwich panels of all wall thicknesses
- IP protection of the cable gland or cable entry plate used remains in place
- Almost endless extension possible
- Different thread lengths can be flexibly combined with each other
- Larger lengths can be shortened at the notch between the threads, without damaging the threads
- Milled recess for wrench size for easy tightening of the screw connection
- Fits to all round icotek cable glands and cable entry plates M32 / M50 / M63

Product types & sizes

TE-M32|35



Part No.	52300	Wrench size	SW 35
EAN	4251269332449	Cut-out size, round	37 mm
Package quantity	5	Thread	M32 x 1,5
Max. cable diameter	25 mm		
Colour	black		
Length	35 mm		
External diameter	36,5 mm		

TE-M32|60

Part No.	52301	Wrench size	SW 35
EAN	4251269332	Cut-out size,	37 mm
	456	round	
Package quantity	5	Thread	M32 × 1,5
Max. cable diameter	25 mm		
Colour	black		
Length	60 mm		
External diameter	36,5 mm		

TE-M32|120

Part No.	52302	Wrench size	SW 35
EAN	4251269332	Cut-out size,	37 mm
	463	round	
Package quantity	5	Thread	M32 × 1,5
Max. cable diameter	25 mm		
Colour	black		
Length	120 mm		
External diameter	36,5 mm		

TE-M50|35

Part No.	52310	Wrench size	SW 53
EAN	4251269332	Cut-out size,	55 mm
	470	round	
Package quantity	5	Thread	M50 × 1,5
Max. cable diameter	43 mm		
Colour	black		
Length	35 mm		
External diameter	54,5 mm		

TE-M50|60



Part No.	52311	Wrench size	SW 53
EAN	4251269332	Cut-out size,	55 mm
	487	round	
Package	5	Thread	M50 × 1,5
quantity			
Max. cable	43 mm		
diameter			
Colour	black		
Length	60 mm		
External	54,5 mm		
diameter			

TE-M50|120



Part No.	52312	Wrench size	SW 53
EAN	4251269332	Cut-out size,	55 mm
	494	round	
Package	5	Thread	M50 × 1,5
quantity			
Max. cable	43 mm		
diameter			
Colour	black		
Length	120 mm		
External	54,5 mm		
diameter			

TE-M63|35



Part No.	52313	Wrench size	SW 66
EAN	4251269333	Cut-out size,	68 mm
	392	round	
Package	5	Thread	M63 × 1,5
quantity			
Max. cable	56 mm		
diameter			
Colour	black		
Length	35 mm		
External	67,5 mm		
diameter			

TE-M63|60



Part No.	52314	Wrench size	SW 66
EAN	4251269333408	Cut-out size, round	68 mm
Package quantity	5	Thread	M63 × 1,5
Max. cable diameter	56 mm		
Colour	black		
Length	60 mm		
External diameter	67,5 mm		

TE-M63|120



Part No.	52315	Wrench size	SW 66
EAN	4251269333415	Cut-out size, round	68 mm
Package quantity	5	Thread	M63 × 1,5
Max. cable diameter	56 mm		
Colour	black		
Length	120 mm		
External diameter	67,5 mm		